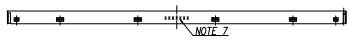
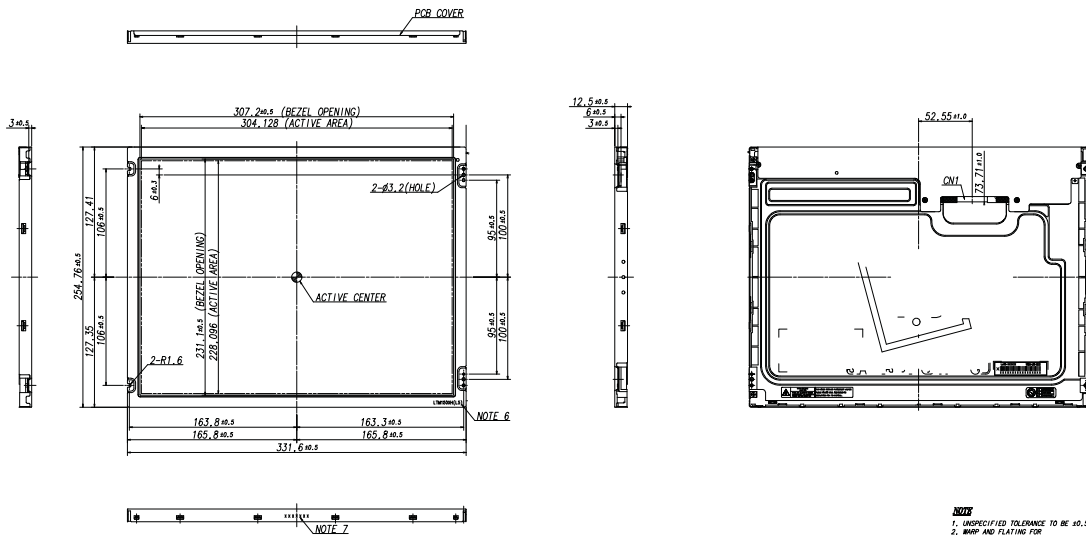


# MS150RUBDF1420D2



- NOTE**
- UNSPECIFIED TOLERANCE TO BE ±0.5
  - BUMP AND PLATING FOR PCB AND CHASSIS ARE EXCLUDED FROM THICKNESS AND DIMENSION OF THE UNIT.
  - CMT = 505F CONNECTOR SPECIFICATION
    - MAKER : JST
    - PART NO. : BRSP-05VS-1
    - PIN LAYOUT

1	VCC
2	END
  - INPUT CONNECTOR SPECIFICATION
    - MAKER: HIROSE
    - CMT: DF160-00P-1.25H
  - TONGUE SPEC : 17.5 19.5mm
  - CHASSIS MODEL NAME : LTM1500(LS)
  - CHASSIS LOT NUMBER