

SPECIFICATION:

[MoniServ, Inc. | http://store.lcdparts.net/](http://store.lcdparts.net/) | <http://lcdparts.net/> | <https://lcdpart.com>

1600 Noriega Street | San Francisco | CA 94122 | 1-415-682-8685

MS456UB-V9	Dimension: 125MM(L)X30MM(W)X15MM(H)
------------	-------------------------------------

MS456UB is designed to drive our LSR, SB and UB series LED upgrade kits for LCD screens size between 12.1" to 24". MS456UB is also compatible with LCD screens that originally equipped with its manufacturer's LED strip. MS456UB can drive LED strips up to 55V DC (20 Watt). The dip switch allows it to be set a variety of output current (Brightness).

Pin Out:

By Default. The pin out on CN1 is P1/P2=VIN, P3/P5=GND, P4=ADJ/PWM, P5=ENA

Option Pin Out:

On CN1 by change few jumpers setting and it can be re-configured to:

P1/P2=VIN, P3=ENA, P4=ADJ/PWM, P5/P6=GND

PWM:

By default, MS456UB is set to Analog control (0~3.5V DC, 0V =Max).

It also can be re-configured to PWM control. Shorted JP4 and removed R7. That is it!

Input Pin Assignment:

Default Pin Assignment: (Shorted JP5, Shorted JP6)

PIN NO	SYMBOL	DESCRIPTION
1.2	VIN	POWER SUPPLY: 10.5-24V DC
6	ENA	ENABLED & DISABLED CONTROL: 3.0V ON
4	ADJ/PWM	Analog: 0-3.5V, 0V=MAX. PWM: 250Hz
3,5	GND	POWER SUPPLY GROUND

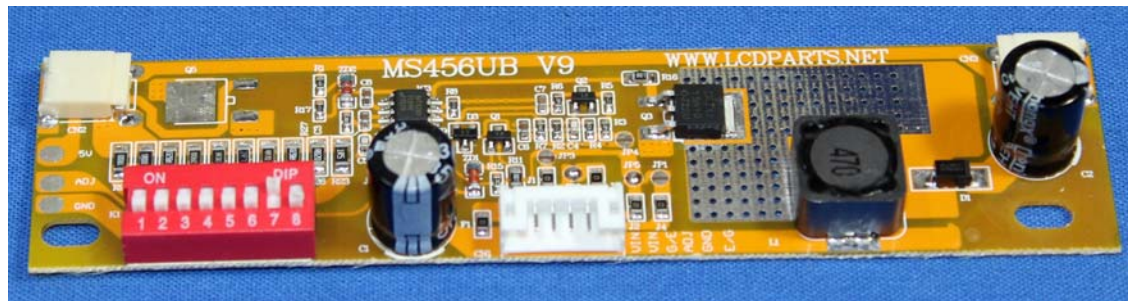
Optional Pin Assignment: (Shorted JP1 & JP3 and Remove shorted on JP5 and JP6)

PIN NO	SYMBOL	DESCRIPTION
1.2	VIN	POWER SUPPLY: 10.5-24V DC
3	ENA	ENABLED & DISABLED CONTROL: 3.0V ON
4	ADJ/PWM	Analog: 0-3.5V, 0V=MAX. PWM: 250Hz
5,6	GND	POWER SUPPLY GROUND

Output Pin Assignment:

CN2 and CN3

PIN	SYMBOL	FUNCTION
1	Red	POWER SUPPLY OUTPUT
2	LV	POWER SUPPLY GROUND



[MoniServ, Inc. | http://store.lcdparts.net/](http://store.lcdparts.net/) | <http://lcdparts.net/> | <https://lcdpart.com>

1600 Noriega Street | San Francisco | CA 94122 | 1-415-682-8685

SPECIFICATION:

[MoniServ, Inc. | http://store.lcdparts.net/](http://store.lcdparts.net/) | <http://lcdparts.net/> | <https://lcdpart.com>

1600 Noriega Street | San Francisco | CA 94122 | 1-415-682-8685

MS456UB-V9	Dimension: 125MM(L)X30MM(W)X15MM(H)
------------	-------------------------------------

How to connect

There is a 6 pin connectors on MS456UB (CN1). Pin outs are available on solder side.

Default Pin out: - Shorted JP5 and JP6

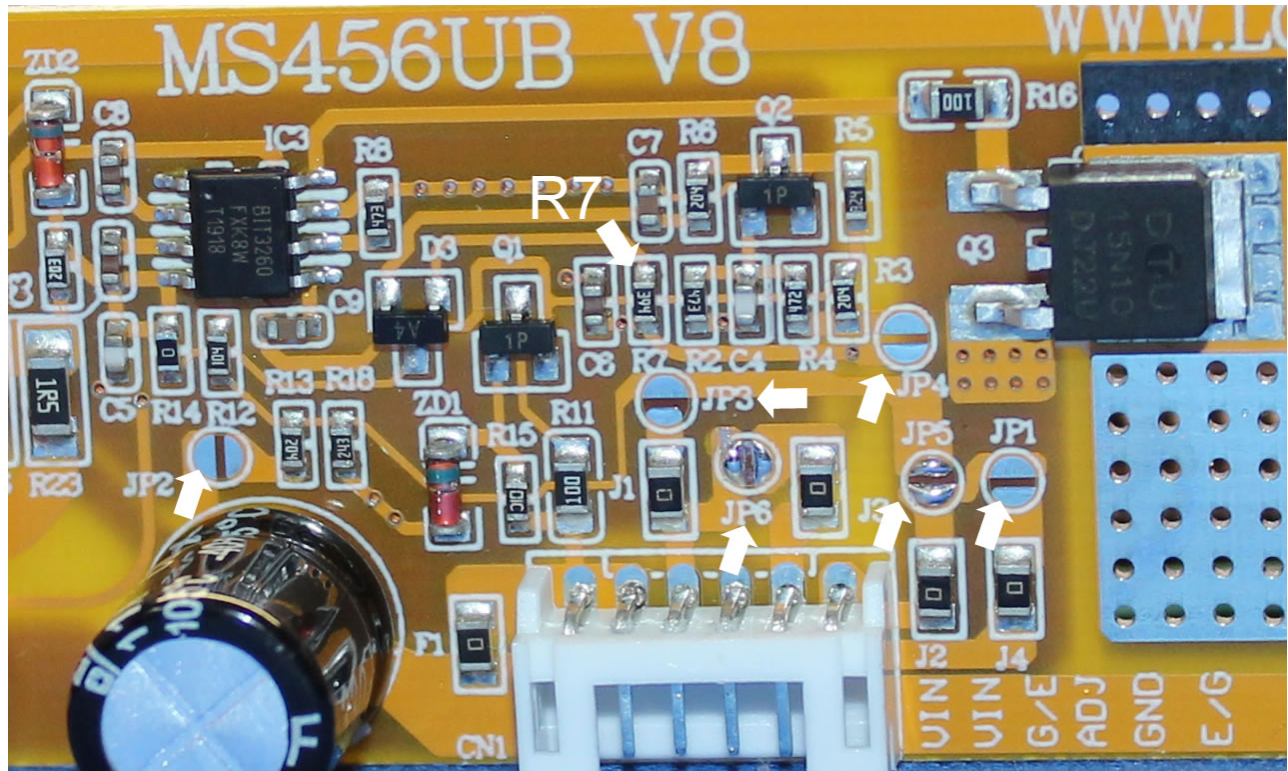
Pin1/Pin2=VIN (+12V ~ 24V DC). P3/P5=GND (Power Ground). P4=ADJ/PWM, P6=ENA (On/Off).
You will find all these DC voltage from your existing inverter wire harness and apply to MS456UB

Optional Pin out: - Shorted JP1 and JP3. Remove JP5 and JP6

P1/P2=VIN. P3=ENA, P4=ADJ/PWM, P5/P6=GND

PWM Control – Shorted JP4 and Remove R7

Disable ENA - Shorted JP2



[MoniServ, Inc. | http://store.lcdparts.net/](http://store.lcdparts.net/) | <http://lcdparts.net/> | <https://lcdpart.com>

1600 Noriega Street | San Francisco | CA 94122 | 1-415-682-8685

SPECIFICATION:

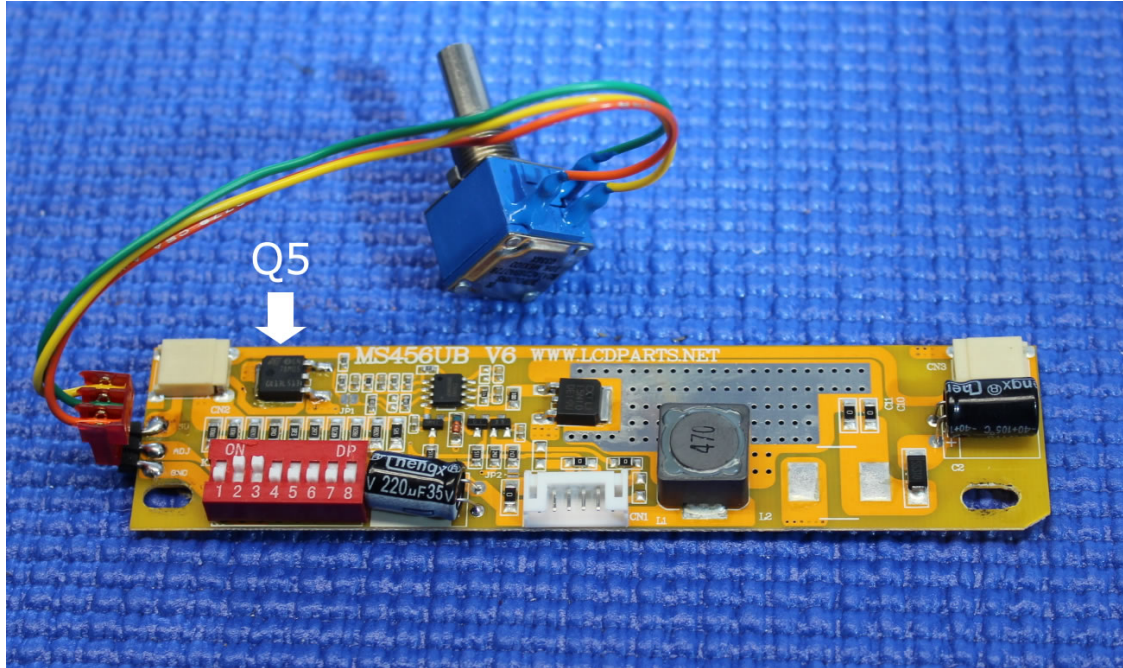
[MoniServ, Inc. | http://store.lcdparts.net/](http://store.lcdparts.net/) | <http://lcdparts.net/> | <https://lcdpart.com>

1600 Noriega Street | San Francisco | CA 94122 | 1-415-682-8685

MS456UB-V9	Dimension: 125MM(L)X30MM(W)X15MM(H)
------------	-------------------------------------

External Brightness Control – Analog Control

By adding Q5 (a 5V DC regulator) and a 10k variable resistor (Pot). Brightness level can be adjusted externally as shown on the photo below:



Note: When using an external brightness control, no connection on pin 4 (ADJ)

[MoniServ, Inc. | http://store.lcdparts.net/](http://store.lcdparts.net/) | <http://lcdparts.net/> | <https://lcdpart.com>

1600 Noriega Street | San Francisco | CA 94122 | 1-415-682-8685