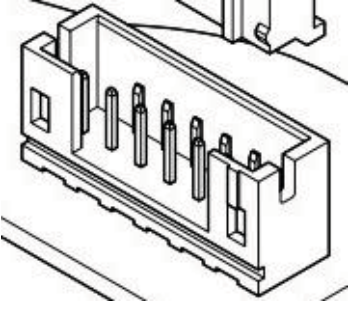
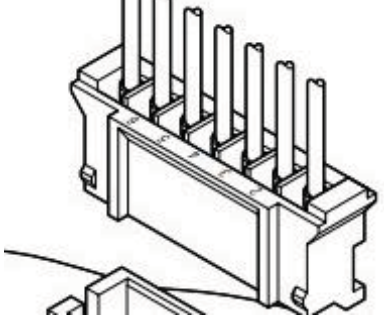


3.1 J2

功能：通道控制接口，连接器型号：B 4B-PH-K-S(JST) 适配连接器：PHR-4(JST)

		
引脚序号	定义	功能
1	3.3V	+3.3V 电源
2	PD	Power Down
3	GND	Ground
4	NC	

3.3 CN1, CN2, CN3

功能：LVDS 输入输出信号 连接器型号：322-230-S13-1XX(leyconn)

引脚号	定义	功能
1	Panel_VCC	Power for Panel
2	Panel_VCC	Power for Panel
3	Panel_VCC	Power for Panel
4	GND	Ground
5	GND	Ground
6	GND	Ground
7	ATX0-	LVDS ODD 0- Signal
8	ATX0+	LVDS ODD 0+ Signal
9	ATX1-	LVDS ODD 1- Signal
10	ATX1+	LVDS ODD 1+ Signal
11	ATX2-	LVDS ODD 2- Signal
12	ATX2+	LVDS ODD 2+ Signal
13	GND	Ground
14	GND	Ground
15	ATCLK0-	LVDS ODD CLOCK- Signal
16	ATCLK0+	LVDS ODD CLOCK+ Signal
17	ATX3-	LVDS ODD 3- Signal
18	ATX3+	LVDS ODD 3+ Signal

19	BTX0-	LVDS EVEN 0- Signal
20	BTX0+	LVDS ENEN 0+ Signal
21	BTX1-	LVDS EVEN 1- Signal
22	BTX1+	LVDS ENEN 1+ Signal
23	BTX2-	LVDS EVEN 2- Signal
24	BTX2+	LVDS ENEN 2+ Signal
25	GND	Ground
26	GND	Ground
27	BTCLK0-	LVDS EVEN CLOCK- Signal
28	BTCLK0+	LVDS EVEN CLOCK+ Signal
29	BTX3-	LVDS EVEN 3- Signal
30	BTX3+	LVDS ENEN 3+ Signal
31	ATX4-	
32	ATX4+	
33	BTX4-	
34	BTX4+	

4 尺寸结构与布局图

